



MiPL

RAILWAY COMPONENTS MANUFACTURER

MECHABLE INDUSTRIES PVT. LTD.

(Manufacturer of Components for Fast Moving Transport)
AN ISO 2015 CERTIFIED COMPANY

"Anandalok" 1st Floor, A-Block, 227 A.J.C. Bose Road
Kolkata - 700020, W.B. INDIA



Leading Railway Components Manufacturer

To become, National and a Global contributor to fundamental growth engines that include mobility, civic services and health care sectors by employing State of the Art technologies and developments at an optimum cost.

Company shall generate employment, develop skills for the local youth, be equal opportunity employer, uphold the social obligations and control environmental risks

To be the finest in the mobility solution domain throughout our country both in terms of Railways with first moving components and various development and components for Defense use.

The Company rationally engages with the developments and productions of various components for high speed rails

further with LHB (coaches). The development plan in phases (1) Various Components for Braking System (2) Valves Special Valves (3) Bolster (4) Components for LHB

About Us!

Mechable Industries Private Limited (MIPL) is an Indian manufacturer - various components for Railway Carriage & Wagons for Indian Railways as well as for Global Market.

Components for Carriage and Wagons, Side frames Couplers and Bolsters, Draft Gear and other components. The Company received ISO 9001:2015 certification and processing for accreditation from NABL.

Vision encompasses ongoing search for newer products, opportunities and market across the globe.

The Company following the System as per Quality Assurance Plan with ZED (Zero defect Product) to achieve highest quality and customer satisfaction.



033-2290 4319 (0)
033-2621 0555 (W)



Work & Regd. Office: Plot No.-39(P) & 40(A),
Uluberia Industrial Park, Howrah - 711316



mechableindustries@gmail.com

Mechable Industries believes in group work. Several capable houses/companies having facilities with casting, forging, and machining with capacities are registered as sub vendors.



”

Promote adoption of ZED (Zero Defects Product) practices and recognizing the effort to implement in the process for accreditation.

Why Choose Us!

Our participation into Defense sector will comprise various items for developments followed by production with ferrous & non ferrous for different use and sectors. Wherever, essential and beneficial we shall bring in global technologies through joint ventures, transfer of technology and technical collaborations to achieve the best suitability to the purpose of application



Proven Engineering Excellence

With decades of experience in precision manufacturing, Mechable Industries Private Limited (MIPL) has established a strong foundation in producing high-quality components for Railway Carriages, Wagons, and now, the Defence sector.



Customer-Centric and Reliable Partner

We believe in building long-term relationships based on trust, performance, and transparency. Our flexible production systems, on-time delivery, and commitment to customer satisfaction make MIPL a preferred partner for both domestic and international clients across multiple industrial sectors.



Commitment to Quality and Innovation

Quality is the core of everything we do. From raw material selection to final inspection, every stage follows strict quality control standards. Our team continuously adopts innovative technologies and advanced processes to meet the evolving needs of modern industries and defense applications.



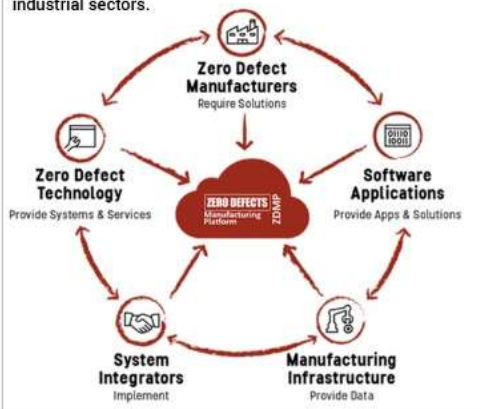
Global Collaboration

To achieve excellence and deliver cutting-edge products, MIPL actively pursues global partnerships through joint ventures, technology transfers, and technical collaborations. These alliances help us integrate world-class innovations tailored to suit specific Indian and international requirements.

Our Services

Mechable Industries believes in teamwork. Several capable vendors with expertise in casting, forging, and machining are registered with us. These vendors operate under a strict quality system to ensure the production of high-quality products that meet all requirements.

“Innovation & Collaboration Focused”- Global Technologies, Indian Excellence



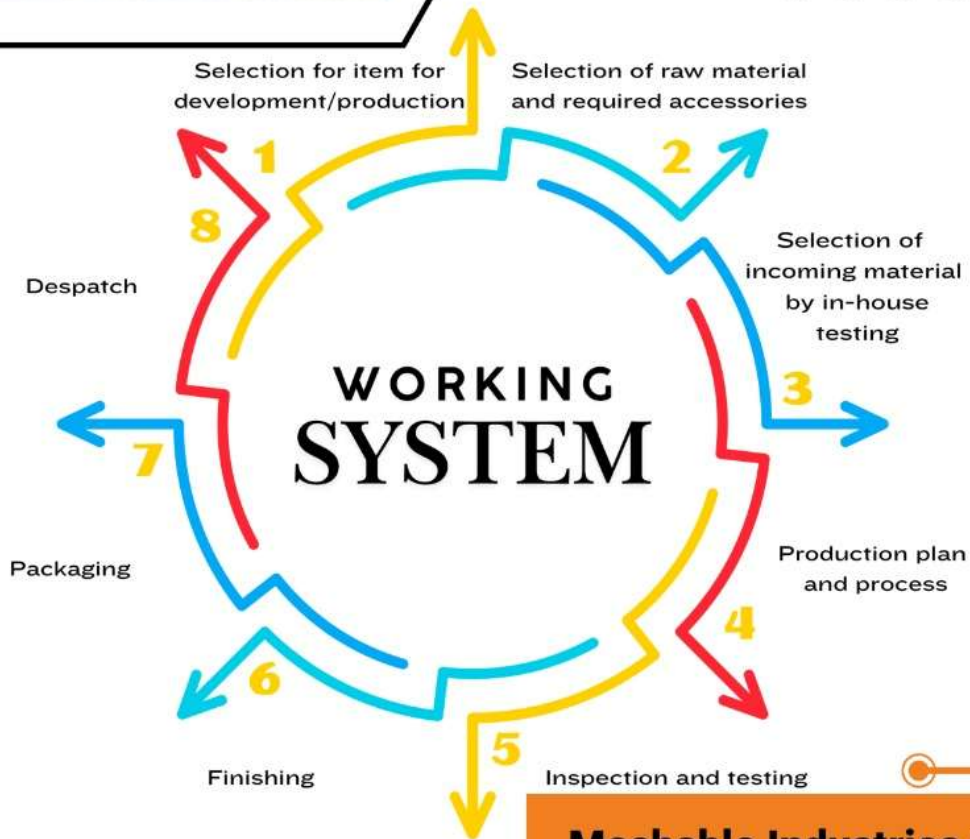
Mechable Industries

adopt the Quality Policy as per ISO and testing facilities with implementation of ZED in the working system, shall promotes quality products

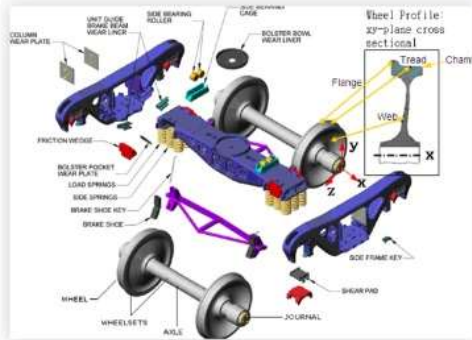


Working SYSTEM

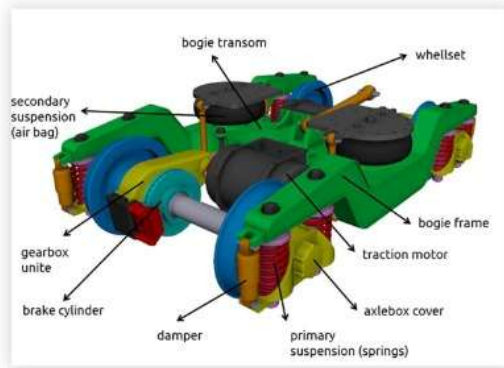
Working Process



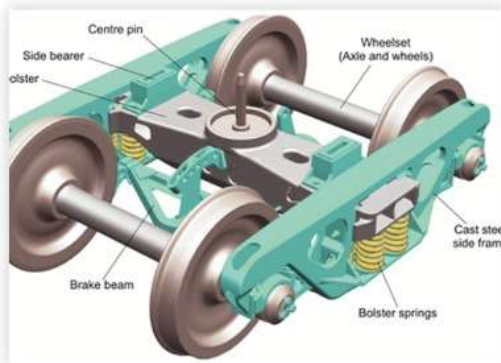
BOGGIES & FRAMES



Components of the bogie and the elements of a wheel profile



High Speed Train Bogie



Three Piece Bogie Strong H Type Welding Structure Frame

SOME OF THE MACHINES



Jyoti RX 20 CNC Vertical Machining Center



VMC 850 Machine CNC Vertical Machining Center



Radial Drill Machines



Panasonic TM-1400W3 Robot Welding Machine

TESTING INSTRUMENTS



Image Analyser



UTS



Spectrometer

MiPL growing up as a valuable global partner, system of work and quality, sustainable team work for ZED and scopes to develop more products for manufacturing and can be an ideal partner for National & international Customers.

Global Technology for Railways Carriage / Wagon & LHB



Some of the Items

1. TRIPLE VALVES (DRAWING NO TRL/CW/OTV/0014)
2. SLACKER ADJUSTER WITH COUPLING HEADS(DRAWING NO. SA 93-OV7)
3. BRAKE CYLINDER 14" (DRAWING NO C-AB 105-OV27)
4. DISTRIBUTOR CARRIER BRACKET (DRAWING NO. AB 12-OV 13)
5. AUXILIARY RESEVOUR (DRAWING NO. AB 350/66-OV1)
6. END COCK (DRAWING NO. AB 124-OV2)
7. HOSE PIPE ASSEMBLY (DRAWING NO. 205000)
8. RUBBER SPRINGS FOR MK II BOGIE (DRAWING NO. Z 7449/59)
9. WHEEL TYRES (RETYABLE ON DISC) DRAWING NO. 16208
10. NON-SHOCK MCA DA TYPE COUPLER (DRAWING NO. Z 7413/11)
11. FRICTION DAMPER ASSEMBLY (DRAWING NO. Z7471/35)
12. O OUTER AND INNER COIL SPRINGS FOR MK 1 BOGIE (DRAWING NO. Z7471/29)
13. TWIST LOCKS DRG NO. SK NO. 1562
14. MASTER VALVE SPINDLE DRG. NO. Z 7449/35
15. AUDICO VALVE DRG. NO. 7449/37
16. SPARES FOR MCA DA COUPLER DRG. NO. Z 7413/11 AND Z 7413/12
17. COUPLING HOOK.
18. SREW. DRG NO.15609-3-4.
19. AUXILIARY SPRING.
20. YOKE.
21. YOKE NUT.
22. BLOCK.
23. BACK FOLLOWER PLATE.
24. FRONT FOLLOWER PLATE.
25. BUFFING SLEEVE.
26. LONGITUDINAL GUIDE.
27. DRAW BAR.
28. INTERMEDIATE MEMBER.
29. AUXILIARY SPRING SLEEVE NUT
30. RUBBER SPRING.
31. DIVIDING PLATE.
32. FERRULE.
33. DRAW BAR COTTER.
34. HEADSTOCK CASING.
35. SLEEPER.
36. LINK.
37. COLOUMN.
38. COMPOSITE BRAKE BLOCKS F 18/A11 (DRAWING NO. Z9161/238)
39. 3 KW, 30V, 100A ALTERNATOR WITH REGULATOR



40. BATTERIES 165 - 200 AH, 1.2 V PER CELL, 3.6 V PER CRATE
41. DISTRIBUTOR VALVE TYPE EST. 3F/G
42. PRIMARY VERTICAL SPRING DRG. NO. W-A1-5410
43. SECONDARY SPRING OUTER DRG. NO. W-A1-5411
44. SECONDARY SPRING INNER DRG. NO. W-A1-5412
45. DUST EXCLUDER SPRING DRG. NO. ICF/TRC-24-25-004
46. DUST SHIELD DRG. NO. ICF/TRC-24-25-004
47. RETAINER DRG. NO. ICF/TRC-24-25-004
48. STEEL RING TOP DRG. NO. ICF/TRC-24-25-004
49. STEEL RING BOTTOM DRG. NO. ICF/TRC-24-25-004
50. O-RING RUBBER SYNTHETIC DRG. NO. ICF/TRC-24-25-004
51. FELT WASHER DRG. NO. ICF/TRC-24-25-004
52. LINER DRG. NO. ICF/TRC-24-25-004.
53. PRIMARY VERTICAL DAMPER DRG. NO. ICF/TRC-24-25-002
54. DAMPER SECONDARY DRG. NO. ICF/TRC-24-25-001
55. HORIZONTAL DAMPER SECONDARY DRG. NO. ICF/TRC-24-25-001
56. BT 14 BEARING SKF PART NO. 24124CC
57. GANG WAY RUBBER DRG. NO. SK 1702
58. CENTRE PIVOT LINER DRG. NO. ICF/TRC-24-25-016
59. SUPPORT BRACKET TYPE S3A WITH CONTROL RESERVER G1/AB-773-0V1
60. BRAKE BEAM 0060,0061,0062
61. DRAW GEAR ARRANGMENT SKETCH-99003
62. BUFFER ASSEMBLY SKETCH-98145
63. SCREW COUPLING SKETCH-99001
64. CYLINDER ROD EYE RDW-S-113
65. AXEL BOX GUIDE ARRANGMENT ICF/TRC-24-25-004
66. COUPLER ASSEMBLY SK-62724
67. LOCO SIDE BUFFER LA/BD-153/M
68. TRANSION SCREW COUPLING SKDL-2494
69. YOKE SK-62724
70. DRAFT GEAR SK/DL-3430
71. HOSE COUPLING SK-73547
72. ANGLE COCK WD-88123/S-01
73. INTERMEDIATE DRAWBAR
74. DRAWBAR
75. WEARING PLATE
76. SCREW C/W TOMMYBAR
77. LINK PIN
78. HOOK & SWIVEL BOLT
79. HOOK & SWIVEL NUT
80. C.S.K BOLT
81. SLIPPER & COLUMN RIVET
82. DRAW BAR PIN



- 83. DRAW PIN COTTER
- 84. WASHER M-24
- 85. WASHER M-27
- 86. WASHER M-36
- 87. SPLIT PIN 5X38
- 88. SPLIT PIN 6X38
- 89. SPLIT PIN 6X70
- 90. CARRIER PLATE
- 91. SLIPPER
- 92. COLUMN
- 93. HEAD STOCK CASTING
- 94. COUPLING YOKE HEAD
- 95. COUPLING HOOK HEAD
- 96. BRAKE BLOCK KEY
- 97. LOCKING SPRING
- 98. CENTRE PIVOT PIN
- 99. COTTER
- 100. FULCRUM BRACKET ASSY
- 101. ADJUSTING LINK ASSY.
- 102. VERTICAL LEVER ASSY.
- 103. PUSH ROD ASSY.
- 104. SPRING WASHER M12
- 105. AXLE BOX RETAINING KEY
- 106. SIDE BEARER LINER
- 107. SIDE BEARER SHIM 290*90*1.5
- 108. SIDE BEARER SHIM 290*90*2
- 109. SIDE BEARER SHIM 290*90*3
- 110. PIN VERTICAL LEVER BOTTOM 25*83
- 111. PIN VERTICAL LEVER CENTRE 25*75
- 112. PIN VERTICAL LEVER TOP 25*91
- 113. M20*60 BOLT WITH NUT
- 114. M12*80 CSK BOLT
- 115. FLAT WASHER (26 I.D.)
- 116. SPRING WASHER M20
- 117. SPLIT PIN 5*40
- 118. SPLIT PIN 6*50
- 119. LIFT STOP ARRANGEMENT WITH BOLT
- 120. BRAKE WEAR PLATE
- 121. M12*100 BOLT



SL NO	ITEM NAME
1	FIBA
2	Control Equipment
3	Slack Adjuster
4	Pantograph
5	Brake Cylinder
6	DOM Cylinder
7	Control Reservoir with Isolating Cock
8	Common pipe bracket with Air Reservoir
9	Wiper
10	Various type of Test Rack – AB Test rack , SWR , DV Test Rack . All manual & Com- puterised test rack
11.	Various types of valves
12.	Auxiliary Reservoirs
13.	8"/8" Brake Cylinder
14.	Single wagon testing rigs



Products Under Development

Thread Brake Unit

Wheel Mounted Compact Caliper - SBSPB

Wheel Mounted Disc Cast Iron

Integrated Brake Control - Smart Advanced
Module Axle Mounted Compact Caliper - SB&PB

Axle Mounted Disc Cast Iron

Pneumatic Component - Limiting Valve

Pneumatic Component - Emergency Load Valve

Pneumatic Component-Average Load Valve

Pneumatic Component - Dump Valve

Simplified Distributor Valves

Pneumatic Component- Brake Indicator

Pneumatic Component-LEvelling Valve



Pneumatic Component-Emergency
Application Valve

Pneumatic Component - Emergency Push
Button

Axle Mounted Disc Steel

Wheel Mounted Disc Steel

Pneumatic Component-Feeding Valve

Electronic Drivers Brake Valve

Distributor Valves UIC

Distributor valves Spring Type



List Of Department For Registrations



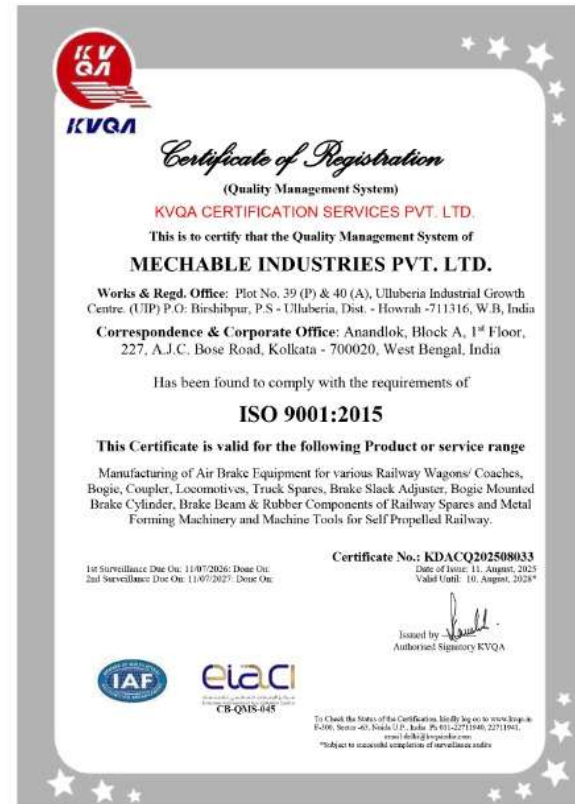
रक्षा मंत्रालय
MINISTRY OF
DEFENCE



LARSEN & TOUBRO



MITSUI & CO.



R&D

Studies and Developments with

1. HSLA
2. Aluminium alloy and development
3. Titanium Alloy
4. High Temperature Superconductivity (BISCO)

MECHABLE capable technical support and facilities to develop various items in phases .



AN ISO 9001 : 2015 CERT. COMPANY